

SPIDER 18.90

TRACKED AERIAL WORKING PLATFORMS

EN



PL / **TFORM**
B A S K E T

RAISING THE STANDARD

Made in Italy



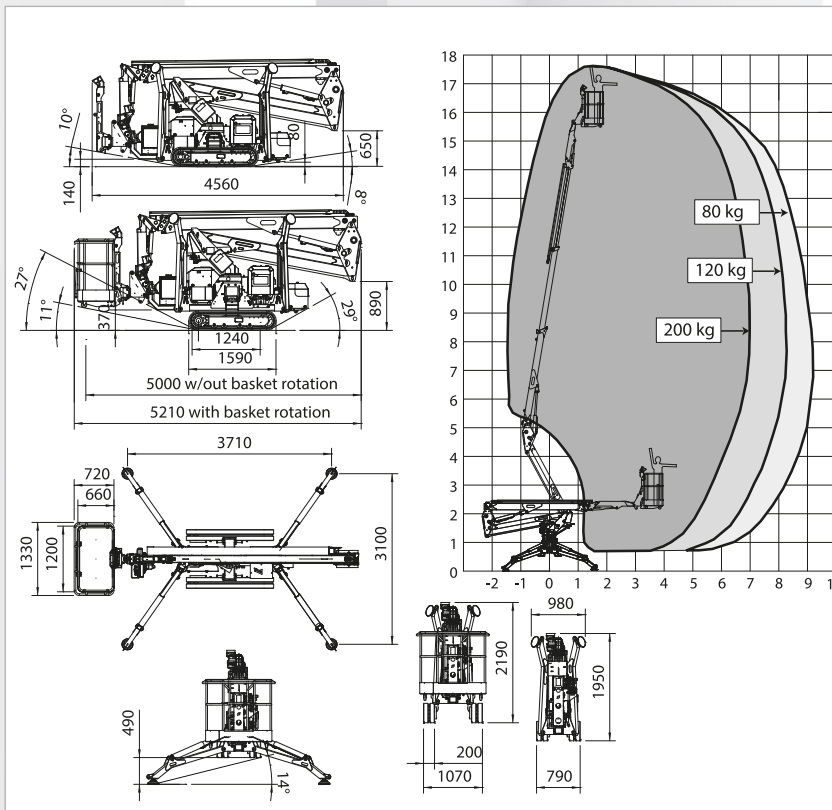
SERIES SPIDER 18.90

The Best solution for the maintenance of your house and garden

- Available with KUBOTA diesel engine with liquid cooling
- Available in bi-energy Electric version with 230Vac motor and Lithium-technology batteries
- Easy access to each component for simplified maintenance
- Easy to use with precise and proportional controls
- Equipped with flying jib without any basket capacity restriction
- Air/water and 230Vac outlets are available into the basket
- Fully protected by metal covers against falling objects
- Cranked outrigger design for increased ground clearance
- Quick detach and interchangeable cage



campbell.com 31119



TECHNICAL SPECIFICATIONS		STD	E	ED
Maximum working height	m		17,60	
Floor height	m		15,60	
Maximum side outreach	m		9,20	
Rotation angle of the tower	°		360	
Aluminium basket dimensions	m	1,30 x 0,70		
Basket rotation angle	°	70+70		
Maximum capacity of basket	Kg	200		
Length closed (basket disassembled)	m	5,00 (4,36)		
Minimum width closed	mm	780		
Minimum height closed	mm	1950		
Overall dimensions Stabilization	m	3,00 x 3,66		
Maximum horizontal inclination	degrees/%	16° (29%)		
Maximum side inclination	degrees/%	17° (31%)		
Maximum speed	Km/h	1,5/2,5	0,8/1,5	1,5/2,5
WEIGHTS		STD	E	ED
Weight in work conditions*	Kg	2.350*	2.500*	2650*
Ground pressure stowed machine	KN/m ²	3,69		
Ground pressure when on stabilizers	KN/m ²	2,52		
Max point load on one stabilizer	KN	17,50		
POWER		STD	E	ED
Honda iGX390 petrol engine	HP/rpm	13/3600	-	13/3600
Z482 Kubota diesel engine	HP/rpm	13/3200	-	13/3200
Electric Motor 230Vac/50Hz (110Vac/60Hz)	CV/KW	2,20/3 (1,50/2)	2,20/3 (1,50/2)	2,20/3 (1,50/2)
Electric Motor 24 Vdc	CV/KW	-	3,5/4,8	3,5/4,8
Traction battery capacity	Ah	-	210	210
			300	300

* Subject to change depending on configuration.